



Level



Pressure



Flow



Temperature



Liquid  
Analysis



Registration



Systems  
Components



Services



Solutions

## Technical Information

# Rod probe 11961Z

Conductive level limit detection

Partially insulated rod probe for use in conductive liquids



### Application

- Conductive level limit detection in process or storage tanks for all kinds of liquids:
  - for conductivity as of 0.02 mS/cm
  - for temperatures from -200 °C to 250 °C
  - for pressures from -1 to 160 bar
- As overflow protection with line monitoring even in Ex-area Zone 0
- For minimum or maximum detection in tanks
- As pump protection in pipes
- As capacitive probe, e.g. for overflow protection
- Can be used for two-point control

### Your benefits

- For aggressive medium thanks to corrosion-resistant materials for rod and insulation
- Can be used in steam boilers thanks to ceramic insulation resistant to steam and hot water
- Can be deployed particularly with high pressure or vacuum
- Subsequent probe length shortening possible
- WHG (German Water Resources Act) + ATEX II 1/2 G approval
- Can be connected to separate switching units FTW325, FTW470Z, FTW570Z, FTC325, FTC625
- Safety thanks to line monitoring
- Long operating life and reliable function without wear since no moving parts in the tank

## Table of contents

<b>Function and system design</b> .....	<b>3</b>	<b>Documentation</b> .....	<b>12</b>
Measuring principle .....	3	Technical Information .....	12
Measuring system .....	3	Operating Instructions .....	12
		Certificates .....	12
<b>Input</b> .....	<b>4</b>		
Measured variable .....	4		
Measuring range (detection range) .....	4		
Input signal .....	4		
<b>Output</b> .....	<b>4</b>		
Switching units .....	4		
Output signal .....	4		
Line monitoring .....	4		
<b>Power supply</b> .....	<b>5</b>		
Electrical connection .....	5		
Cable entry .....	5		
Cable specifications .....	5		
<b>Operating conditions</b> .....	<b>6</b>		
<b>Installation</b> .....	<b>6</b>		
Installation instructions .....	6		
Shortening probe rod .....	6		
Mounting in piping .....	7		
<b>Environment</b> .....	<b>7</b>		
Ambient temperature range .....	7		
Storage temperature .....	7		
Degree of protection .....	7		
Electromagnetic compatibility .....	7		
<b>Process</b> .....	<b>8</b>		
Medium temperature range .....	8		
Medium temperature limits .....	8		
Conductivity .....	8		
Limiting medium pressure range .....	8		
<b>Mechanical construction</b> .....	<b>9</b>		
Design, dimensions .....	9		
Weight .....	9		
Wetted materials .....	9		
Fitted electrodes .....	10		
<b>Certificates and approvals</b> .....	<b>10</b>		
CE mark .....	10		
Overfill protection .....	10		
Type of protection (ATEX) .....	10		
<b>Ordering information</b> .....	<b>11</b>		
Rod probe 11961Z .....	11		

## Function and system design

### Measuring principle

Alternating voltage is supplied to the probe by means of a transmitter (e.g. Nivotester FTW325). As soon as the conductive liquid forms a connection to the partition and the sensor, a measurable current flows which causes the sensor to switch.

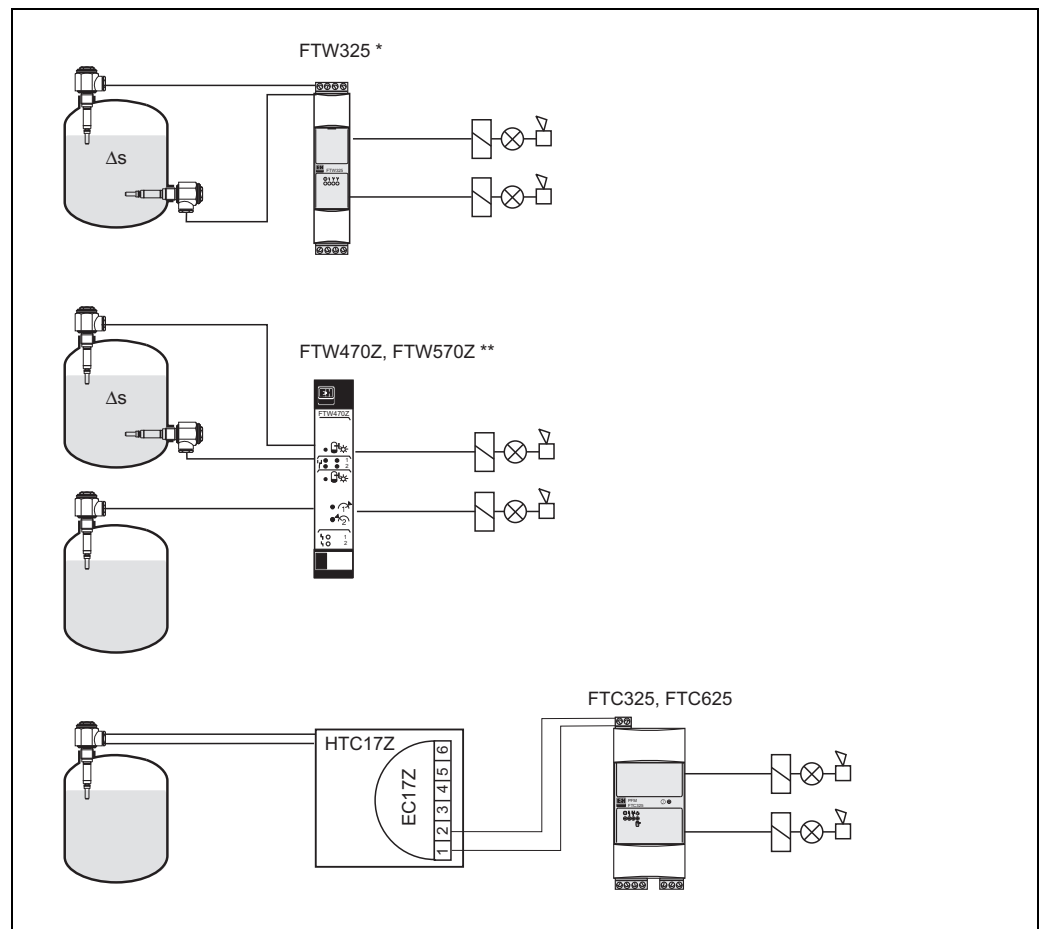
The use of alternating voltage prevents corrosion on the probe rod and electrolytic corrosion of the medium.

### Measuring system

11961Z probe in the liquid tank, Nivotester FTW or FTC level limit switch in the control room

The measuring device consists of:

- At least one 11961Z probe
- A switching unit (e.g. FTW325 or FTC625)
- Controllers, switch transmitters or signal transmitters, e.g. process control systems PLC, relays etc.



L00-11961Zxx-14-05-xx-xx-002

\* For two independent level limits or a two-point control ( $\Delta s$ )

\*\* For two independent level limits or two two-point controls independent of one another ( $\Delta s$ ) or one level limit and one two-point control ( $\Delta s$ )


FTW470Z/570Z: Phase-out 2006

HTC17Z: Phase-out 2007

## Input

<b>Measured variable</b>	Change in resistance between tank wall and probe rod caused by presence/absence of conductive product (limit value, binary).
<b>Measuring range (detection range)</b>	The measuring range depends on the probe mounting location. The probes can be max. 2000 mm long.
<b>Input signal</b>	Probe covered => A measurable current flows between the probe rod and tank wall Probe not covered => A measurable current does not flow between the probe rod and tank wall

## Output

<b>Switching units</b>	Nivotester FTW325, FTW470Z*, FTW570Z*, FTC325, FTC625  * Phase-out: 2006
<b>Output signal</b>	Relay output with floating change-over contacts for level alarms; For more information, see Nivotester FTW325, FTW470Z, FTW570Z, FTC325 or FTC625; Technical Information
<b>Line monitoring</b>	An additional printed circuit board for line monitoring is installed in the housing for probes with WHG approval. It is always switched or connected between the rod and housing wall.   <p>Note! It has to be removed if using switching units (transmitters) that do not support line monitoring. With Nivotester FTC325 and FTC625, line monitoring only takes place via the PFM signal.</p>

## Power supply

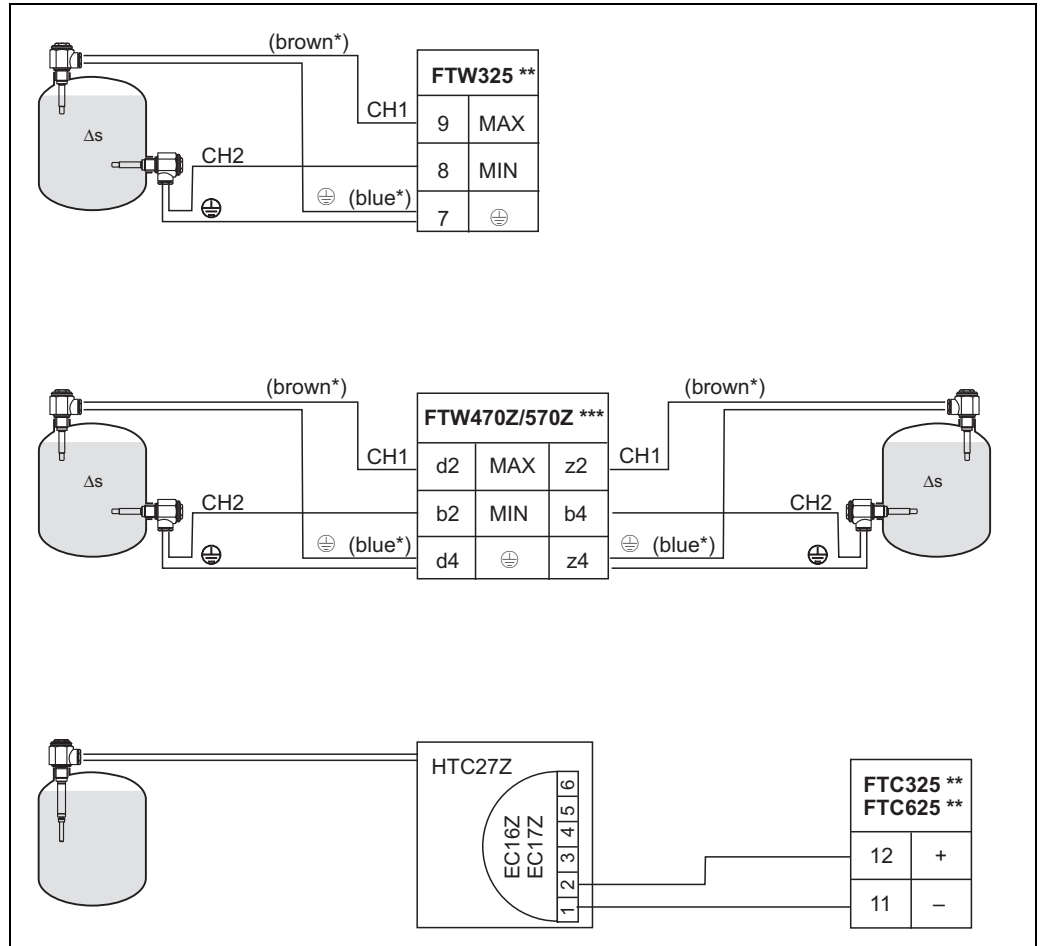
### Electrical connection

Standard + ATEX:

2 terminals for core cross-section to 2.5 mm<sup>2</sup> in housing

WHG (with line monitoring):

2 threaded connections for cable lug in housing with 2 m captive cable



L00-11961Zxx-04-05-xx-en-003

\* With line monitoring

\*\* For two independent level limits or a two-point control ( $\Delta s$ )

\*\*\* For two independent level limits or two two-point controls independent of one another ( $\Delta s$ ) or one level limit and one two-point control ( $\Delta s$ )

FTW470Z/570Z: Phase-out 2006

HTC27Z: Phase-out 2007

### Cable entry

The cable gland Pg16 is suitable for cable diameters from 7 to 12 mm<sup>2</sup>.

Connect cores preferably with insulated cable lugs to the connections in the probe housing:

- central connection for the probe rod,
- lateral connection for the earth.

A 2 m captive twin-core cable is supplied for line monitoring.

### Cable specifications

Use usual commercial cable (25  $\Omega$  per core).

The connecting cable must comply with the requirements at the place of deployment.

Use a screened cable in the event of strong electromagnetic radiation.

## Operating conditions

### Installation

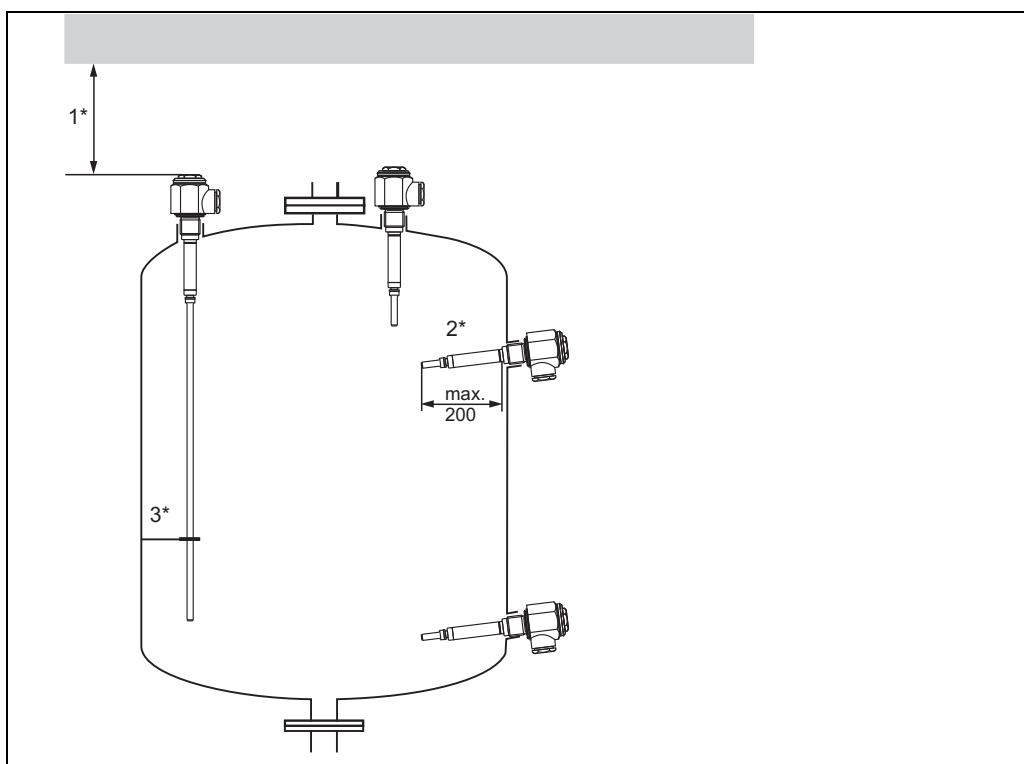
#### Installation instructions

##### Mounting location

Preferably vertical from above.  
In the case of lateral mounting, mount the probes with the tip of the probe pointing slightly downwards.

##### Orientation

Level limit detection for standard applications in metal tanks.



- 1\* Sufficient clearance provided outside the tank so the probe can be inserted without the application of force.  
2\* A short probe (maximum length 200 mm) can also be installed laterally, preferably with the tip of the probe pointing slightly downwards, so that the liquid can drain off better and conductive build-up does not form.  
3\* If used in agitated liquids, probes over 0.5 m in length must be laterally supported by insulated brackets.

#### Shortening probe rod

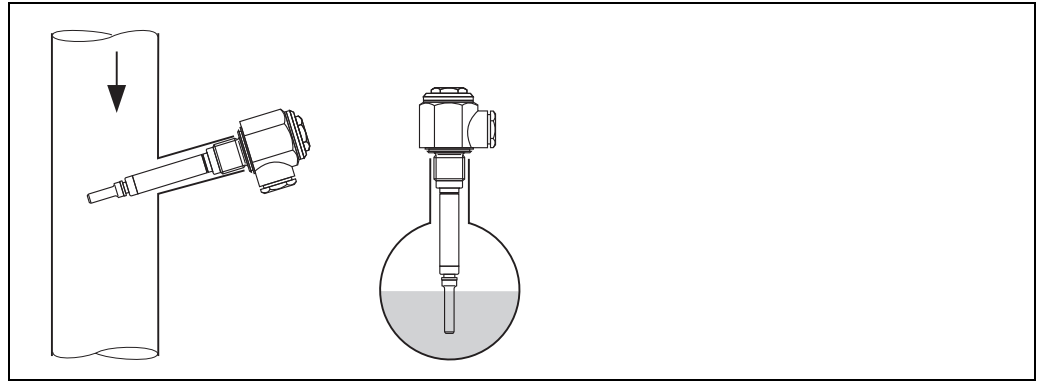


The probe can be shortened to any length.

Note!

- Do not damage the insulation at any other point
- After shortening, remove insulation over at least 20 mm at the tip of the probe
- No mechanical strain may be put on the probe when shortening the probe rod

**Mounting in piping**



L00-11375Zxx-11-05-xx-xx-001

---

## Environment

---

<b>Ambient temperature range</b>	Depends on the fluid temperature (limited through permitted interior temperatures of the connection housing)  Permitted interior temperatures of the connection housing: Standard: -200 °C...+250 °C, depends on the connecting cable ATEX: -200 °C...+200 °C, depends on the connecting cable WHG: - 20 °C...+ 65 °C in housing; take fluid temperature into account!
<b>Storage temperature</b>	-200 °C...+250 °C - 20 °C...+ 65 °C (with line monitoring)
<b>Degree of protection</b>	IP55 as per EN 60529
<b>Electromagnetic compatibility</b>	For interference emission and interference immunity, see connected Nivotester FTW or FTC limit switch EMC test procedures, see TI241F/00/EN

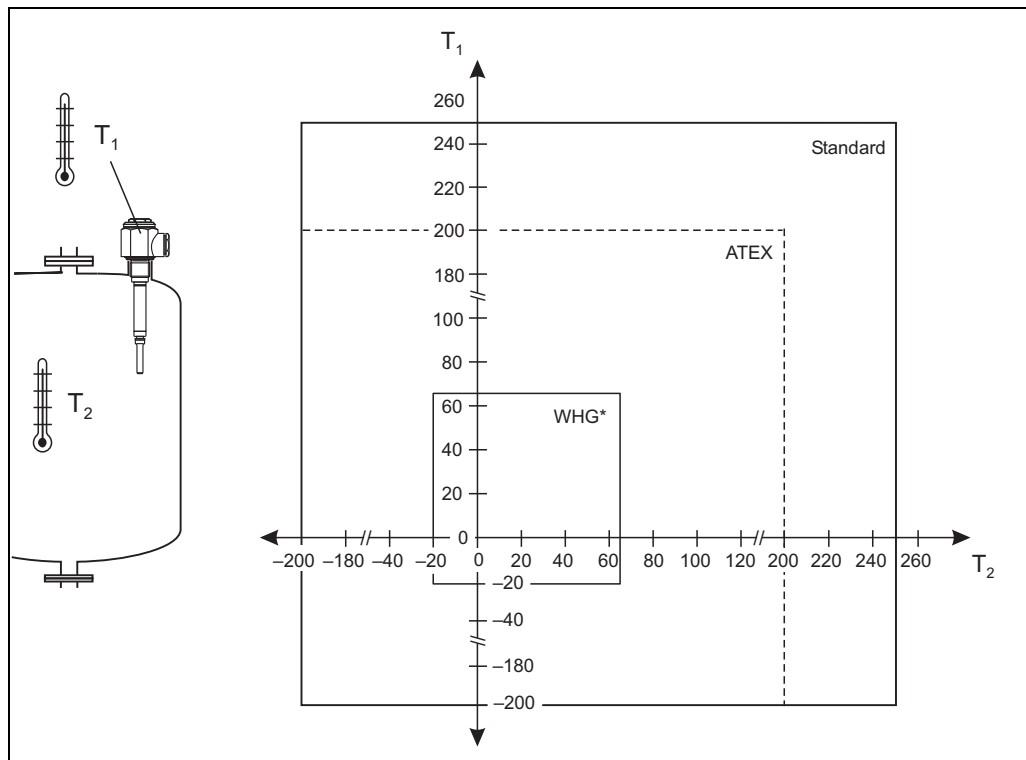
---

## Process

### Medium temperature range

Standard: -200 °C...+250 °C, depends on the connecting cable  
 ATEX: -200 °C...+200 °C, depends on application (capacitive/conductive), see certificate  
 WHG: - 20 °C...+ 65 °C (with line monitoring)

Connection between fluid temperature and interior temperature of the connection housing depending on ambient temperature:



L00-11961Zxx-05-05-xx-xx-001

\* With line monitoring

### Medium temperature limits

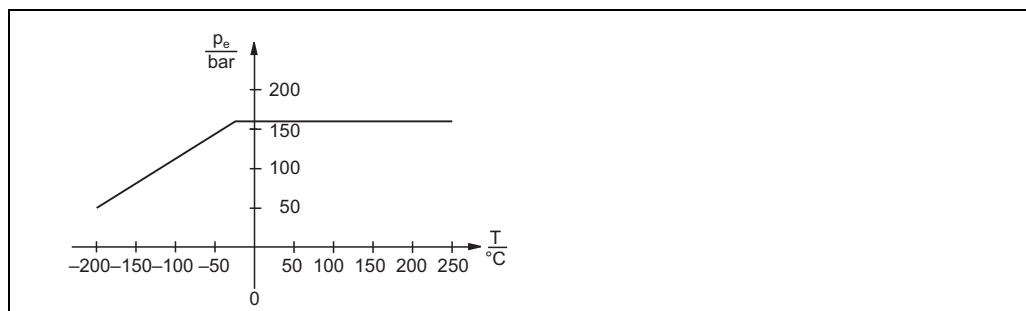
As above

### Conductivity

Min. 0.02 mS/cm, see limit switch connected

### Limiting medium pressure range

Standard: Line pressure  $p_e$  160 bar, see graphic  
 ATEX + WHG: Note explosion protection directives and information in the certificates



L00-11961Zxx-05-05-xx-xx-002

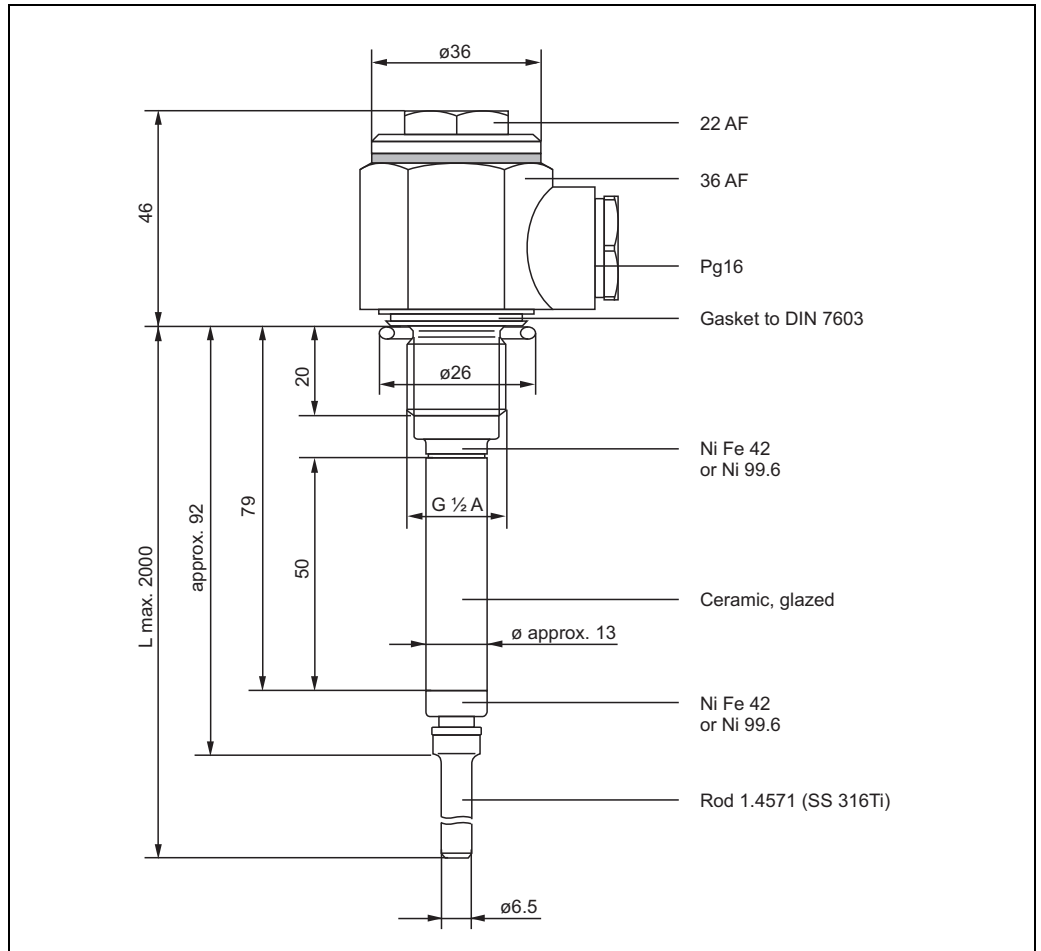


## Mechanical construction



Note!  
All dimensions in mm

### Design, dimensions



L00-11961Zxx-06-05-xx-en-001



Note!  
Length of partial insulation min. 20 mm shorter than the probe length.  
Please indicate the desired probe length in mm when ordering.

### Weight

#### Rod 1 m in length

500 g

### Wetted materials

#### Probe rod

Corrosion-resistant steel 316Ti (1.4571)

#### Process connections

Corrosion-resistant steel 316Ti (1.4571)

#### Partial insulation

Glazed ceramic

#### Surround for partial insulation

Ni Fe 42 or Ni 99.6

**Seal**Corrosion-resistant steel

---

**Fitted electrodes****Rod probe**

- Diameter without insulation: 6.5 mm
- Maximum rod length: 2000 mm
- Minimum rod length: 100 mm
- Length of non-insulated area (tip of rod): min. 20 mm

---

## Certificates and approvals

---

**CE mark**

The device is in conformity with the statutory requirements of the EC Directives.  
Endress+Hauser confirms that the device has been tested successfully by applying the CE mark.

---

**Overfill protection**WHG (German Water Resources Act)

---

**Type of protection (ATEX)**

Conductive

- EC type-examination certificate TÜV 02 ATEX 1951 X

Capacitive

- EC type-examination certificate PBT 98 ATEX 2215 X

## Ordering information

**Rod probe 11961Z**

<b>10</b>	<b>Approval</b>				
	A	ATEX II 1/2 G EEx ia IIC T6, WHG	P	ATEX II 1/2 G EEx ia IIC T6	
	R	Non-hazardous area	S	Non-hazardous area, WHG	
	T	Non-hazardous area, EAC marking	Y	Special version	
<b>20</b>	<b>Application *</b>				
	C	FTC470Z, FTC471Z	R	FTW325	
	S	FTC325, FTC625	X	Non-specified switching unit	
	Y	Special version			
<b>30</b>	<b>Process connection, material</b>				
	G1	Thread ISO228 G 1/2 A, 316Ti	Y9	Special version	
<b>40</b>	<b>Metal parts at ceramic</b>				
	A	Ni Fe 42	B	Ni 99.6	
	Y	Special version			
<b>50</b>	<b>Rod material</b>				
	B	Rod 316Ti	Y	Special version	
<b>60</b>	<b>Length of probe L</b>				
	1	..... mm	L, can be shortened		
	2	500 mm	L, can be shortened		
	3	1000 mm	L, can be shortened		
	5	..... inch	L, can be shortened		
	6	20 inch	L, can be shortened		
	7	39 inch	L, can be shortened		
	9	Special version			
<b>995</b>	<b>Marking</b>				
	1	Tagging (TAG)			
11961Z		complete product designation			

\* The device designation is required to assign the suitable certificate (conductive or capacitive) to the application. Only the conductive certificate is supplied with version X.  
 Due to space restrictions, the device names of the switching units are not illustrated on the nameplate.

---

## Documentation

---

### Technical Information

- Nivotester FTW325  
TI00373F/00/EN
- Nivotester FTC325  
TI00380F/00/EN
- Nivotester FTC625  
TI00370F/00/EN

---

### Operating Instructions

- Rod probe 11961Z  
KA00241F/00/A6
- Nivotester FTW325  
KA00199F/00/A6
- Nivotester FTC325PFM  
KA00221F/00/A6
- Nivotester FTC625  
KA00194F/00/A6

---

### Certificates

#### General construction supervision approval

- Conductive level limit detection  
ZE00043F/00/DE
- Capacitive level measurement  
ZE210F/00/DE
- Capacitive level limit detection  
ZE211F/00/DE

#### Safety instructions (ATEX)

- Conductive level limit detection  
XA00197F/00/A3
- Capacitive level limit detection + level measurement  
XA00024F/00/A3



71413344

[www.addresses.endress.com](http://www.addresses.endress.com)

---